

# SILOKING



## SILOKING 4.0 Vertical feed mixing technology

Product overview and technical specifications



**SILOKING TrailedLine 4.0**

- ▶ Compact: 7 m<sup>3</sup> - 14 m<sup>3</sup>
- ▶ Premium: 14 m<sup>3</sup> - 30 m<sup>3</sup>
- ▶ System 1000+: 35 m<sup>3</sup> - 45 m<sup>3</sup>
- ▶ Duo Avant: 14 m<sup>3</sup> - 32 m<sup>3</sup>



**SILOKING SelfLine 4.0**

- ▶ Compact: 12 m<sup>3</sup> - 16 m<sup>3</sup>
- ▶ Premium: 15 m<sup>3</sup> - 22 m<sup>3</sup>
- ▶ System 500+: 19 m<sup>3</sup> - 27 m<sup>3</sup>
- ▶ System 1000+: 25 m<sup>3</sup> - 32 m<sup>3</sup>



**SILOKING StaticLine 4.0**

### Feeding

- ▶ Compact: 8 m<sup>3</sup> - 14 m<sup>3</sup>
- ▶ Premium: 14 m<sup>3</sup> - 25 m<sup>3</sup>
- ▶ System 1000+: 22 m<sup>3</sup> - 40 m<sup>3</sup>

### Biogas

- ▶ Compact: 9 m<sup>3</sup> - 15 m<sup>3</sup>
- ▶ Premium: 18 m<sup>3</sup> - 40 m<sup>3</sup>
- ▶ System 1000+: 50 m<sup>3</sup> - 80 m<sup>3</sup>

# SILOKING

Quality from the premium manufacturer for feed mixers!



**SILOKING do Brasil**  
Sales and service for  
South America.  
**São José do Rio Preto (BR)**

**SILOKING**  
Slovakia  
Production.  
**Záhorská Ves (SK)**

**Tittmoning (DE)**  
**SILOKING Headquarters**  
Development, innovation and produc-  
tion for all markets. Sales in Europe  
and international markets.

High quality   
**MADE IN GERMANY**  
**SILOKING**

**SILOKING Rus OOO**  
Sales and service for Russia.  
**Lipetsk (RU)**

**Beijing (CN)**  
**SILOKING Agricultural  
Machinery Beijing Co. Ltd.**  
Sales and service for Chinese  
market and Asia.



## simply | intelligent | feeding

Under the brand name SILOKING, SILOKING Mayer Maschinenbau GmbH manufactures innovative feeding technology and distributes it in Europe and in over 50 countries beyond. The machines "Made in Germany" are manufactured with more than 300 employees and with high quality standards with the latest production methods. The product range includes in particular trailed and self-propelled feed mixers for livestock farms, and stationary mixing and dosing systems for Feed Centers and biogas plants. In its core segments, SILOKING claims the market and technology leadership.

## Our philosophy – focused on cow's and farmer's demands first

Preserving the feed structure, mixing long and short as well as dry and moist material precisely and discharging regular and precise rations: these are the requirements that SILOKING Technology has been designed for 365 days a year – with reliability and comfort.

## Successful concepts

SILOKING innovations are based on intensive research, development and in-house production, always aiming to fulfill the requirements of agriculture. The focus is on feed quality and efficient use of technology, by offering reliable and durable technology.

The feed mixing technology comes in a large variety of ranges, i. e. **TrailedLine** (trailed feed mixers), **SelfLine** (self-propelled feed mixers) and **StaticLine** (stationary mixing and dosing systems). They are produced in series and offer the perfect solution for any farm or installation.





# SILOKING

The company

## Reliability

Modern manufacturing lines and constant monitoring ensure the highest standard of quality and efficient production. The high level of vertical integration at SILOKING involves comprehensive documentation and perfect organization of spare parts supply.

## Security

Active sales worldwide through our own subsidiaries in Russia, Brazil and China as well as audited partners make SILOKING a competent producer on all continents. Thanks to experts, spare parts and special tools on site, purchasing a SILOKING is a reliable thing worldwide.

## Experience

With over 22,000 units in the market, of which more than 1,500 are self-propelled feed mixers, SILOKING has the experience in manufacturing absolutely reliable, durable and efficient products. Flexible assembly lines allow an up-to-date product mix and a high product output.





## SILOKING TrailedLine 4.0

Trailed vertical feed mixers

### SILOKING TrailedLine 4.0 Compact

Hopper capacities from 7 m<sup>3</sup> to 14 m<sup>3</sup>

SILOKING presents the completely new range with one mixing auger with capacities ranging from 7 m<sup>3</sup> to 14 m<sup>3</sup>. Lots of innovations have been adopted from the jumbo range. The SILOKING Compact is particularly suited for use with confined buildings.

**TrailedLine 4.0 Compact** models also break up round bales without problems.

With various discharge versions, the feed mixer can be individually adapted to the farm conditions.

The robust underrun protection with integrated lighting provides optimal protection by day and by night.



The smooth-running and maneuverable professional!



# SILOKING TrailedLine 4.0

Trailed vertical feed mixers



## SILOKING TrailedLine 4.0 Premium 1814 / 2218 / 3022

Hopper capacities from 14 m<sup>3</sup> to 30 m<sup>3</sup>

The SILOKING **TrailedLine 4.0 Premium** range convinces with short mixing times and homogeneous mixing results thanks to the edged hopper shape. All models are equipped with SILONOX wear protection in the area of the wedge-shaped hopper recesses and of the discharge door. The robust and torsion-free square-bar frame together with the powerful 4-planet gearbox ensures high operational reliability.

Choosing from different hopper heights and tires makes it possible to adapt the machine to the passage heights in the barn or to the maximum height of the loading vehicle. When reducing the hopper height, it is however important to adapt also the turbo auger in order to meet the quality requirements of the hopper geometry.

Models from **TrailedLine 4.0 Premium 3022-26** upwards are equipped with a tandem axle (with steering axle or steering axle with positive steering as option).



Welcome to the master class!

## SILOKING TrailedLine 4.0 System 1000+ 4535

Hopper capacities from 35 m<sup>3</sup> to 45 m<sup>3</sup>

SILOKING **TrailedLine 4.0 System 1000+ 4535** combines high capacity with maximum payload. Designed for the requirements of farms with 1,000 cows and more.

The SILOKING tridem axle distributes the weight onto 3 axles and reduces the load on the farmyard ground when traveling with the mixing hopper filled. In addition, it provides highest comfort during quick road travel, even with the maximum permitted load (e. g. in the 40-km/h version). Along with the required safety, the 2 steering axles of the tridem axle ensure excellent maneuverability on the farm.

The 3 vertical mixing augers provide quick and homogeneous feed mixing, which additionally saves time and diesel. The machine can be equipped with SoftStart as an option.



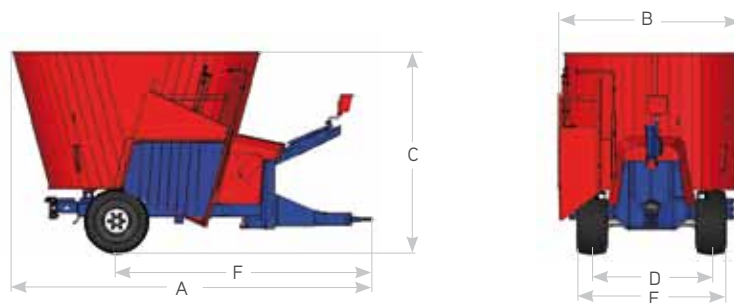
Capacity and maximum payload in the spotlight!



## SILOKING TrailedLine 4.0

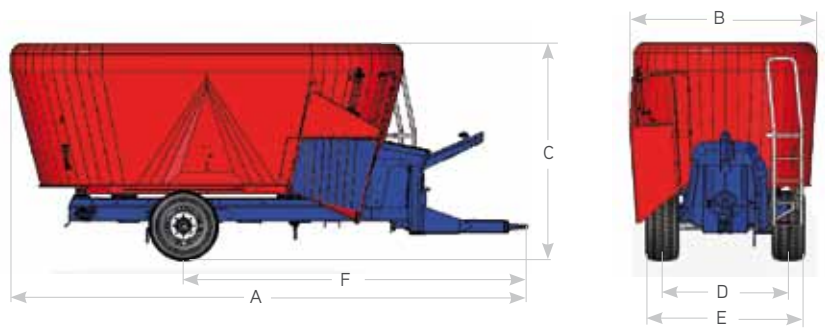
Trailed vertical feed mixers

### Technical specifications

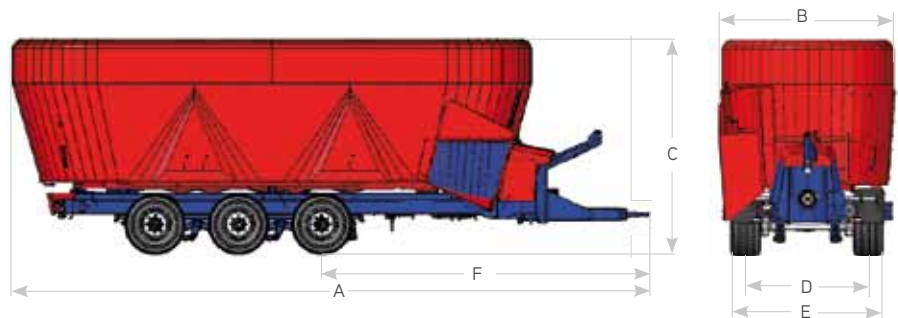


Model		Compact 7	Compact 8	Compact 8-T	Compact 9	Compact 10	Compact 10-T	Compact 12	Compact 14
A Length	mm	4.510	4.550	4.670	4.710	4.750	4.840	4.900	4.980
F Distance towing eye-axle	mm	3.250	3.250	3.250	3.250	3.250	3.390	3.390	3.390
B Width (with discharge door at front right)	mm	2.250	2.250	2.400	2.400	2.400	2.550	2.550	2.550
C Height	mm	2.350	2.500	2.460	2.630	2.780	2.580	2.830	3.220
D Track width	mm	1.550	1.550	1.550	1.550	1.550	1.700	1.700	1.750
E Outer width of wheels	mm	1.880	1.880	1.980	1.980	1.980	2.130	2.130	2.200
Turbo auger		1	1	1	1	1	1	1	1
Auger windings		1,75	1,75	2	2	2,5	2	2,5	3
Adjustable XS knives		5	5	6	6	7	6	7	8
Turbo auger speed (PTO speed 540 rpm)	rpm	24	24	24	24	24	18	18	18
Capacity	m <sup>3</sup>	7	8	8	9	10	10	12	14
max. drawbar load	kg	1.500	1.500	1.500	1.500	1.500	1.500	1.500	1.500
max. total weight (technically) 15 km/h	kg	8.500	8.500	8.500	8.500	8.500	8.500	9.300	10.400
max. total weight (StVZO) 25 km/h	kg	8.500	8.500	8.500	8.500	8.500	8.500	8.500	9.500
Empty weight of basic machine	kg	3.350	3.450	3.750	3.850	3.950	4.200	4.350	4.650

# Technical specifications



Model		Premium 1814-14	Premium 1814-16	Premium 1814-18	Premium 2218-18	Premium 2218-20	Premium 2218-22	Premium 3022-22	Premium 3022-26	Premium 3022-30
A Length	mm	6.650	6.650	6.650	7.100	7.100	7.100	7.450	7.450	7.450
F Distance towing eye-axle	mm	4.420	4.420	4.420	4.620	4.620	4.620	4.800	4.800	4.800
B Width (with discharge door at front right)	mm	2.330	2.330	2.330	2.530	2.530	2.530	2.710	2.710	2.710
C Height	mm	2.720	2.870	3.020	2.730	2.900	3.070	2.820	3.230	3.520
D Track width	mm	1.500	1.500	1.500	1.700	1.700	1.700	1.700	1.700	1.700
E Outer width of wheels	mm	1.950	1.950	1.950	2.150	2.150	2.150	2.150	2.150	2.150
Turbo augers		2	2	2	2	2	2	2	2	2
Auger windings		2	2,5	3	2	2,5	3	2	3	3,5
Adjustable XS knives		12	14	16	12	14	16	12	16	18
Turbo auger speed (PTO speed 540 rpm)	rpm	18/35	18/35	18/35	18/35	18/35	18/35	18/35	18/35	18/35
Turbo auger speed (PTO speed 1.000 rpm)	rpm	34/64	34/64	34/64	34/64	34/64	34/64	34/64	34/64	34/64
Capacity	m <sup>3</sup>	14	16	18	18	20	22	22	26	30
max. drawbar load	kg	2.000	2.000	2.000	2.000	2.000	2.000	2.000	2.000	2.000
max. total weight (technically) 15 km/h	kg	12.000	12.400	13.500	13.500	14.600	15.700	16.100	18.900	21.100
max. total weight (StVZO) 25 km/h - single axle	kg	12.000	12.000	12.000	12.000	12.000	12.000	12.000	--	--
max. total weight (StVZO) 25 km/h - tandem	kg	18.000	18.000	18.000	18.000	18.000	18.000	18.000	18.000	18.000
Empty weight of basic machine	kg	5.700	6.000	6.300	6.300	6.600	6.900	7.300	8.500	9.100



Model		System 1000+ 4535-35	System 1000+ 4535-40	System 1000+ 4535-45
A Length	mm	9.900	9.900	9.900
F Distance towing eye-axle	mm			
B Width (with discharge door at front right)	mm	2.710	2.710	2.710
C Height	mm	3.060	3.320	3.530
D Track width	mm	1.900	1.900	1.900
E Outer width of wheels	mm	2.400	2.350	2.350
Turbo augers		3	3	3
Auger windings		2	3	3,5
Adjustable XS knives		18	24	27
Turbo auger speed (PTO speed 1.000 rpm)	rpm	22/40	22/40	22/40
Capacity	m <sup>3</sup>	35	40	45
max. drawbar load	kg	3.000	3.000	3.000
max. total weight (technically) 15 km/h	kg	24.000	30.100	32.600
max. total weight (StVZO) 25 km/h	kg	18.000	27.000	27.000
Empty weight of basic machine	kg	13.000	14.100	14.600



## SILOKING TrailedLine 4.0 Duo Avant

Trailed vertical feed mixers

### SILOKING TrailedLine 4.0 Duo Avant 2014

Hopper capacities from 14 m<sup>3</sup> to 22 m<sup>3</sup>

Due to the optimized and conical hopper geometry, combined with a particularly compact design, a considerably higher utilization of the hopper volume can be achieved even if the ration includes a high percentage of long-fibered feed. In addition, the Duo Avant offers low drag resistance and reliable function.

The conical shape of the mixing hopper together with the adapted turbo auger ensures that long-fibered material also returns to the lower part of the mixing unit. Low drag resistance and high flexibility make the Duo Avant particularly efficient.

The rounded FlowPlus hopper ring takes the feed from the top back down into the mixing process, thus ensuring clog-free working, even when processing round bales.



The range for increased flexibility and efficiency!

### SILOKING TrailedLine 4.0 Duo Avant 3227

Hopper capacities from 27 m<sup>3</sup> to 32 m<sup>3</sup>

This range combines high capacity with low power requirement. Due to the small diameter of the bottom plate and the conical hopper shape, only 100 hp are required for the drive of the innovative 3-auger vertical feed mixer with 27 m<sup>3</sup> and 32 m<sup>3</sup> capacities.

The machine starts without any problems even with a payload of up to 12 tonnes and after a long idle time. This is gentle on the tractor's drive.

The 3 vertical mixing augers provide for quick and homogeneous feed mixing, which additionally saves time and diesel.

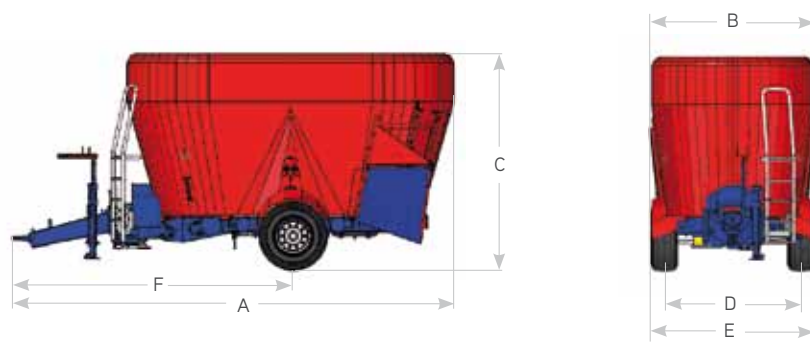
Optional: Positive steering for excellent maneuverability.



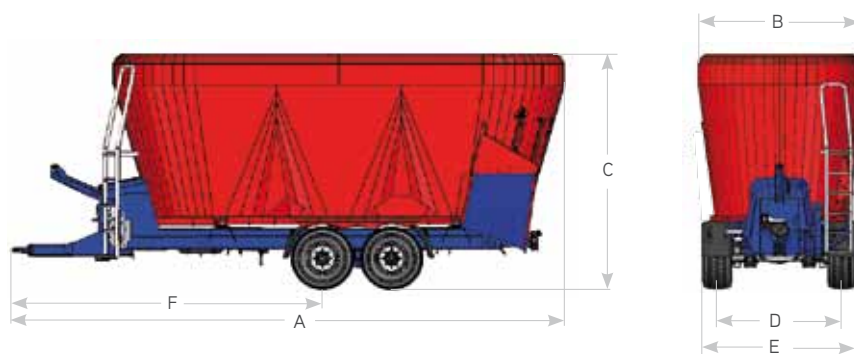
Payload and efficiency in the spotlight!



# Technical specifications



Model		Duo Avant 2014-14	Duo Avant 2014-16	Duo Avant 2014-18	Duo Avant 2014-20	Duo Avant 2014-22
A Length	mm	6.750	6.750	6.750	6.750	6.750
F Distance towing eye-axle	mm	4.320	4.320	4.320	4.320	4.320
B Width (with discharge door at front right)	mm	2.440	2.440	2.440	2.440	2.440
C Height	mm	2.630	2.740	3.050	3.160	3.360
D Track width	mm	2.050	2.050	2.050	2.050	2.050
E Outer width of wheels	mm	2.440	2.440	2.440	2.440	2.440
Turbo augers		2	2	2	2	2
Auger windings		2	2,5	3	3	3,5
Adjustable XS knives		14	16	18	18	20
Turbo auger speed (PTO speed 540 rpm)	rpm	18/35	18/35	18/35	18/35	18/35
Turbo auger speed (PTO speed 1.000 rpm)	rpm	34/64	34/64	34/64	34/64	34/64
Capacity	m <sup>3</sup>	14	16	18	20	22
max. drawbar load	kg	2.000	2.000	2.000	2.000	2.000
max. total weight (technically) 15 km/h	kg	11.000	12.000	13.000	14.000	14.000
max. total weight (StVZO) 25 km/h - single axle	kg	11.000	12.000	12.000	12.000	12.000
Empty weight of basic machine	kg	5.400	5.600	5.800	6.000	6.300



Model		Duo Avant 3227-27	Duo Avant 3227-32
A Length	mm	8.450	8.450
F Distance towing eye-axle	mm		
B Width (with discharge door at front right)	mm	2.500	2.500
C Height	mm	3.270	3.510
D Track width	mm	1.900	1.900
E Outer width of wheels	mm	2.250	2.250
Turbo augers		3	3
Auger windings		3	3,5
Adjustable XS knives		24	27
Turbo auger speed (PTO speed 540 rpm)	rpm	18/35	18/35
Turbo auger speed (PTO speed 1.000 rpm)	rpm	34/64	34/64
Capacity	m <sup>3</sup>	27	32
max. drawbar load	kg	2.000	2.000
max. total weight (technically) 15 km/h	kg	20.600	23.000
max. total weight (StVZO) 25 km/h - tandem	kg	18.000	18.000
Empty weight of basic machine	kg	9.800	10.200

# SILOKING TrailedLine 4.0 Additional equipment

The perfect solution for any farm

**50 - 66 %  
reduced drive  
requirement**



## SILOKING SoftStart clutch

For everyone who drives long distances or leaves the machine loaded SILOKING offers the SoftStart clutch as an option for the vertical feed mixer model ranges of **TrailedLine 4.0 Premium**, Duo Avant and System 1000+. This new hydraulic clutch especially developed for SILOKING feed mixers is located between the planetary gearboxes of the individual mixing augers. By starting only one auger – switching on the other auger(s) later – the drive requirement of the tractor can be reduced by up to 50 % (for models with 3 augers by up to 66 %).

## SILOKING Straw blower

High-capacity straw blower with mechanical drive

The combination of mixing unit and straw blower allows for multiple use of the SILOKING feed mixer. The high-capacity straw blower distributes even long-fibered material exactly and to distant places in the barn. The integrated stone trap between the mixing hopper and the blower avoids stone chipping in the barn.

## SILOKING Bedding belt

Combination of feed discharge and large-distance bedding

The SILOKING Bedding belt offers the perfect combination for feed discharge and large-distance bedding of cubicle beds and cubicle housings.

Control of the bedding belt is carried out hydraulically, but it can also be carried out (electro-hydraulically) via SILOKING Data as an option. As the bedding belt is swung under the cross conveyor belt, the vehicle width is not changed.

## SILOKING TwinLift

Sliding cross conveyor belt with automatic height adjustment

This conveyor belt can be slid hydraulically to either side, and the outer end is lifted automatically by up to 50 cm. It is also possible to slide the belt horizontally via simple lever operation.

This system is characterized by two-sided feed discharge into high troughs!

# SILOKING TrailedLine 4.0

## Assemblies in detail

### Mixing unit

The SILOKING hopper geometry and the turbo auger are aligned perfectly, which provides for short mixing times while preserving the feed structure in an optimal way. The edged shape of the hopper slows down the feed moving in a circle and therefore supports the vertical mixing process.

The new planetary gearbox has been developed exclusively and only for use in SILOKING feed mixers. The gearbox with 4 planets and optimal gear reduction levels has been designed for the high performance expected from the feed mixer even under maximum load.

### Chassis

The rugged square-bar frame is the basis for the robust SILOKING chassis. It has an extremely high load capacity and is torsion-resistant. Together with the special load cell casings, this offers perfect weighing accuracy, even on uneven ground and when the mixing hopper is fully loaded.

The cables of the weighing system are acid-resistant and they run tidily and safely in cable channels. A SILOKING quality feature for long life and consistently reliable operation of the machine.

### Feed discharge

A variety of SILOKING discharge options makes it possible to adapt feed discharge to any requirements in the barn:

#### SILOKING cross conveyor belt

- ▶ A cross conveyor belt allows for depositing feed in a regular and wide feed swath so that feed to be pushed in later remains fresh.

#### Discharge doors

- ▶ Foldable conveyor belts at the discharge door
- ▶ Foldable conveyor belts at the cross conveyor belt
- ▶ Heavy-duty discharge doors

### SILOKING Data

Combination of radio control of the weighing system and of the hydraulic functions with SILOKING Feeding Management:

- ▶ wireless radio communication
- ▶ use of smartphone, tablet or SILOKING Data terminal possible for controlling
- ▶ programmable weighing system as standard, for accurate ration
- ▶ control of electro-hydraulic functions (SILOKING Data E version)
- ▶ changing / storing cow number, total amount and appetite upon selecting a recipe
- ▶ SILOKING Feeding Management Software free of charge
- ▶ data always in the driver's view, even in the loading vehicle

### SILONOX

SILONOX is a particularly hard-wearing solid stainless steel alloy with outstanding wear resistance. It is used exclusively for SILOKING feed mixing technology.

SILONOX elements on the sides and at the bottom of the discharge door as well as on the wedge-shaped hopper recesses are mounted as standard.

The following options are available:

- ▶ SILONOX turbo auger flight wear protection
- ▶ SILONOX hopper wall
- ▶ SILONOX hopper wall lining, plate thickness 3 mm
- ▶ SILONOX hopper bottom lining, plate thickness 6 mm





**SILOKING SelfLine 4.0**  
Self-propelled vertical feed mixers



For the family farm and individual feeding of the performance groups.

**SILOKING SelfLine 4.0 Compact 1612**

Models with low height with 12 m<sup>3</sup>, 13 m<sup>3</sup> and 16 m<sup>3</sup>

A compact design, maneuverable 3-point chassis, high-performance milling head and the powerful and economical drive make the SILOKING **SelfLine** the perfect solution for mechanizing conventional family farms as well as for large farms that want to realize precise feeding of various performance groups of cows.

Compact design and two-sided discharge without running over the feed.

The low models Compact 12, 13 as well as 16 are perfectly suited for low barn passages. They are equipped with the powerful and economical 105 kW (143 hp) Volvo 4-cylinder turbo diesel engine, emission standard stage IV. For models Compact 13 and 16, there is an optional Power pack with 129 kW (175 hp) or 160 kW (218 hp).



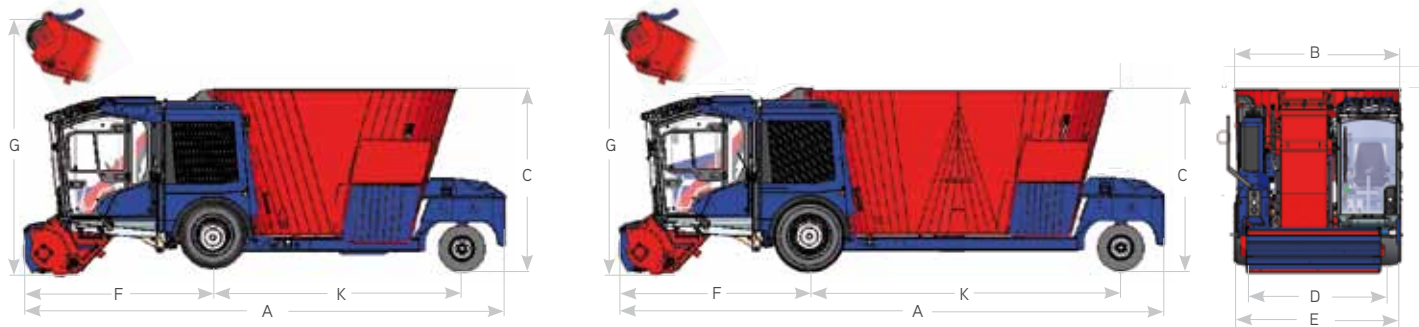
High capacity and considerable collecting height.

**SILOKING SelfLine 4.0 Premium 2215**

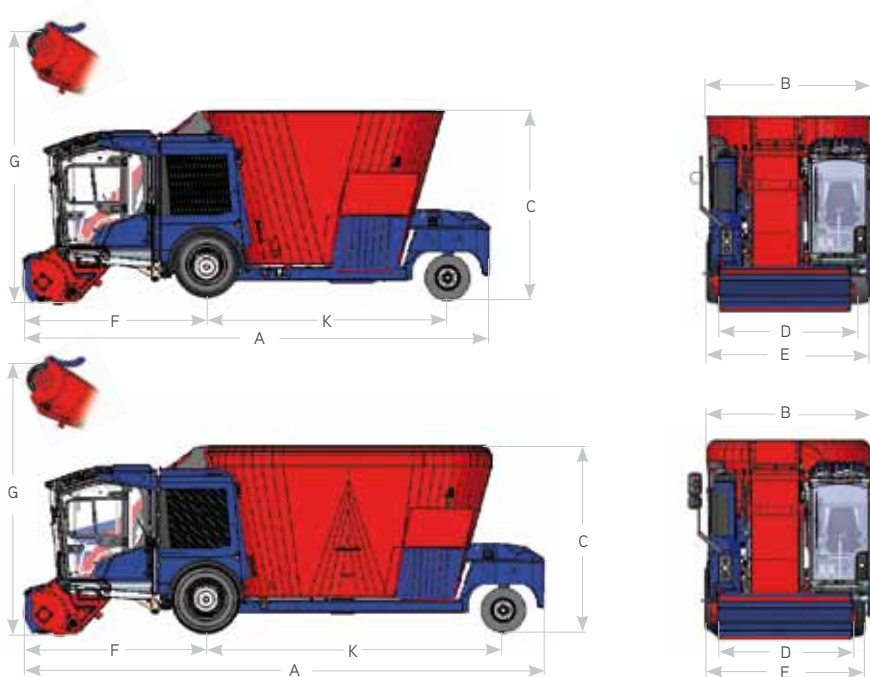
Models with considerable collecting height and more capacity with 15 m<sup>3</sup>, 19 m<sup>3</sup> and 22 m<sup>3</sup>

Even with these models of course, the focus is on the benefits of **SelfLine** 4.0 equipment. Comfort cab, new drive and new hydraulics, integrated multi-functional armrest with CAN-bus control system and the new turbo auger make the operation efficient and economical. The models Premium 15, 19 and 22 can collect feed from up to 5 m height with the long milling head arm. The standard drive on these models is a Volvo 4-cylinder turbo diesel engine with 129 kW (175 hp), emission standard stage IV (and with 160 kW / 218 hp as option).

# Technical specifications



Model		Compact 1612-12	Compact 1612-13	Compact 1612-16	
A	Length	mm	7.530	7.530	8.640
F	Distance milling head - axle	mm	2.680	2.900	2.900
K	Distance front axle - rear axle	mm	3.900	3.900	4.750
B	Width	mm	2.550	2.550	2.550
C	Height	mm	2.560	2.650	2.650
D	Track width	mm	1.920	1.920	1.920
E	Outer width of wheels	mm	2.300	2.300	2.300
	Outer turning radius	mm	4.500	4.500	5.750
	Turbo augers		1	1	2
	Auger windings		2,5	2,5	2,5
	Adjustable XS knives		7	7	14
	Turbo auger speed (at engine speed 1.900 rpm / 2.200 rpm)	rpm	20 / 46	20 / 46	20 / 46
	Capacity	m <sup>3</sup>	12	13	16
G	Loading height	m	3,80	3,80	3,80
	Engine (emission standard stage IV)	kW / hp	105 / 143 Volvo	105 / 143 Volvo	105 / 143 Volvo
	Empty weight of basic machine	kg	10.500	10.700	11.500



Model		Premium 2215-15	Premium 2215-19	Premium 2215-22	
A	Length	mm	7.980	8.710	9.040
F	Distance milling head - axle	mm	3.180	3.180	3.180
K	Distance front axle - rear axle	mm	3.900	4.800	5.110
B	Width	mm	2.550	2.550	2.550
C	Height	mm	2.960	2.940	3.060
D	Track width	mm	1.920	1.920	1.920
E	Outer width of wheels	mm	2.300	2.550	2.550
	Outer turning radius	mm	4.600	6.500	7.400
	Turbo augers		1	2	2
	Auger windings		3	3	3,5
	Adjustable XS knives		8	16	18
	Turbo auger speed (at engine speed 1.900 rpm / 2.200 rpm)	rpm	20 / 46	20 / 46	20 / 46
	Capacity	m <sup>3</sup>	15	19	22
G	Loading height	m	5	5	5
	Engine (emission standard stage IV)	kW / hp	129 / 175 Volvo	129 / 175 Volvo	129 / 175 Volvo
	Empty weight of basic machine	kg	11.150	12.250	13.400

# SILOKING SelfLine 4.0

Self-propelled vertical feed mixers



## SILOKING SelfLine 4.0 System 500+ 2519

The all-rounder for road and farm with 19 m<sup>3</sup>, 22 m<sup>3</sup>, 25 m<sup>3</sup> and 27 m<sup>3</sup>

Dairy farms with several locations, feeding communities and agricultural contractors are all expecting the same things from a self-propelled feed mixer. It both needs to be fast on the road and convince you in confined farmyard spaces. Fast and extremely maneuverable, this modern self-propelled feed mixer impresses in all conditions.

With an overall height of less than 3 meters, even low barn passages are no obstacle. At the same time, collecting heights of 5.0 or 5.5 meters mean that the **SelfLine 4.0 System 500+ 2519** also features impressive reach.

Thanks to 4-wheel steering, it also copes easily with rough terrain and paved surfaces. The machine features large tires and is very maneuverable, thanks to the two steered axles. The machine is available in 3 speed versions (25/40/50 km/h).



STRONG - on the road and in difficult conditions on the farm.

## SILOKING SelfLine 4.0 System 1000+ 3225

Highly maneuverable XXL self-propelled for large farms, biogas plants and use on several farms with 25 m<sup>3</sup> and 32 m<sup>3</sup>

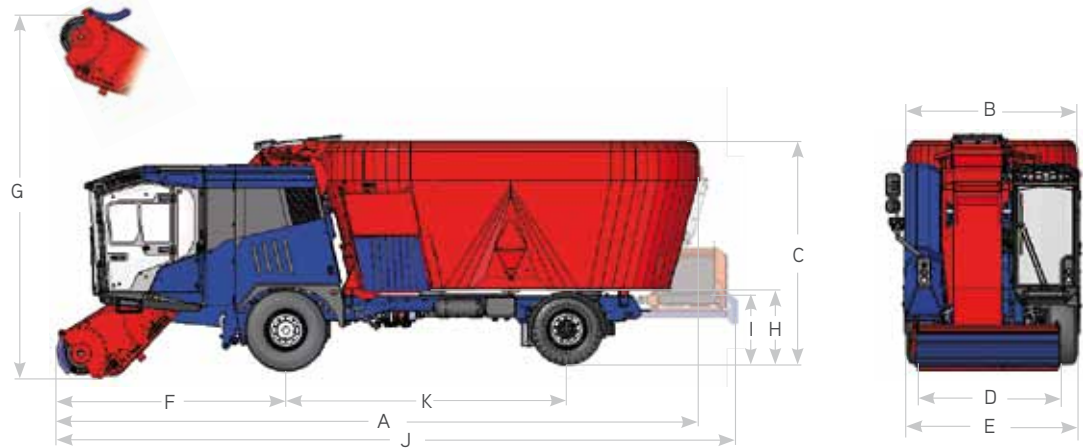
The SILOKING **SelfLine 4.0 System 1000+** models impress with high maneuverability, capacity and performance and have been designed for farms with 1,000 cows and more. Thanks to the 3-axle chassis, the self-propelled feed mixer can be loaded with up to 12 tonnes – and the load on the chassis, the tires and the driving surfaces is reduced.

In addition, the active steering of the front and rear axles offers an enormous maneuverability. The mixing hopper has a capacity of 32 m<sup>3</sup> or 25 m<sup>3</sup> and 3 or 2 turbo augers. And the XXL self-propelled mixes very quickly and homogeneously.



Enormous capacity and efficiency – developed for farms with 1,000 cows and more.

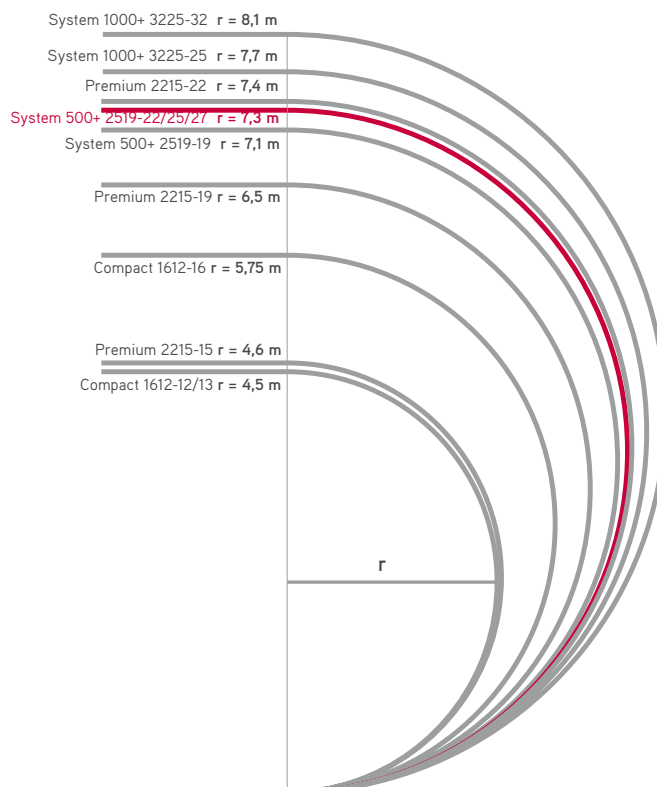
# Technical specifications



Model		System 500+ 2519-19	System 500+ 2519-22	System 500+ 2519-25	System 500+ 2519-27
A Length	mm	8.930	9.460	9.460	9.460
J Length (cross conveyor belt)	mm	9.350	9.880	9.880	9.880
F Distance milling head - axle	mm	2.950	3.450	3.300	3.300
K Distance front axle - rear axle	mm	4.000	4.000	4.000	4.000
B Width	mm	2.540	2.540	2.540	2.680
C Height	mm	2.970	3.250	3.500	3.550
Tires at front		445/65 R22.5	445/65 R22.5	445/65 R22.5	445/65 R22.5
Tires at rear		435/50 R22.5	435/50 R22.5	435/50 R22.5	435/50 R22.5
D Track width	mm	2.050	2.050	2.050	2.050
E Outer width of wheels	mm	2.490	2.490	2.490	2.490
Outer turning radius (2-wheel steering)	mm	11.050	11.280	11.280	11.280
Outer turning radius (4-wheel steering)	mm	7.060	7.320	7.320	7.320
H Discharge height (discharge door)	mm	1.080	1.080	1.080	1.080
I Discharge height (cross conveyor belt)	mm	990	990	990	990
cross conveyor belt with hydraulic sliding to both sides (300 mm per side)					
Turbo augers		2	2	2	2
Auger windings		2,5	3	3,5	3,5
Adjustable XS knives		14	16	18	18
Turbo auger speed (at engine speed 1.900 rpm / 2.200 rpm)		20 / 46	20 / 46	20 / 46	20 / 46
Capacity	m <sup>3</sup>	19	22	25	27
G Loading height	m	4,8	5,2	5,3	5,3
Engine (emission standard stage IV)	kW / hp	160 / 218 Volvo	160 / 218 Volvo	160 / 218 Volvo	160 / 218 Volvo
Empty weight of basic machine	kg	15.550	15.850	16.100	16.300
max. total weight (technically) 25 km/h *	kg	25.900	25.900	25.900	25.900

\* The total weight may vary, based on country-specific regulations for road traffic.

## Turning radius



# SILOKING SelfLine 4.0

## Additional equipment

The perfect solution for any farm



### Independent wheel suspension

#### Comfortable driving even on poor roads

For difficult road conditions, the **SelfLine Compact** and the **SelfLine Premium** can be equipped with independent wheel suspension as an option – it is standard for **SelfLine Premium 2215-22**. In connection with a steering angle of 45° as well as large tires, the newly developed independent wheel suspension ensures consistently smooth running of the high-capacity self-propelled with poor road conditions and over longer distances on and between farms.



Dry matter scanner

Programmable weighing system DG8000-IC

### NIR system

#### Precisely controlling the presented feed ration results in high performance

The NIR system is mounted in the milling head of the SILOKING self-propelled. The feed is released from the silage clamp by the milling head and passes through the dry matter scanner. The scanner evaluates the current dry matter content and transmits the data to the calculating unit (programmable weighing system DG8000-IC). The programmable weighing system calculates the target weight for each feed component compared with the planned ration in real time and shows it on the display. This ensures that the actually loaded ration corresponds exactly to the calculated one.



### Discharge conveyor

- ▶ The retractable discharge conveyor can work in every position and produces a regular feed discharge.
- ▶ The discharge conveyor at rear left offers discharge of big feed amounts onto short feed tables.
- ▶ Simultaneous two-sided feed discharge, e. g. with particularly narrow feed tables, is also possible.
- ▶ The foldable discharge conveyor is used for feed discharge into higher troughs.





# SILOKING SelfLine 4.0

## Assemblies in detail

### Mixing unit

Large mixing auger plus low speed equals a gentle treatment of feed structure – that is the convincing equation in favor of the turbo auger. It rotates at a speed that can be described as gentle in spite of moving a high quantity of feed inside the mix with every rotation. The turbo auger perfectly matches the geometry of the hopper in size and shape and maintains the exact distance to the hopper wall that is required to quickly process the feed components while still mixing in a gentle manner. This results in precise rations and reduced power requirements. The areas on the sides of the discharge doors and the wedge-shaped hopper recesses for 2-auger models are equipped with SILONOX as standard (the hopper wall, hopper bottom and turbo auger as an option).

### Loading unit

The 2-meter wide high-performance milling head of the SILOKING SelfLine 4.0 is equipped with 42 cranked knives coated in tungsten carbide and an equal number of transport shovels – exactly the right amount and with the perfect arrangement to not impair the feed structure while ensuring a high loading performance at the same time. The conveying channel of the SILOKING SelfLine 4.0 is arranged almost symmetrically in the center of the self-propelled. This guarantees a quick transport of feed as there is no risk of backflow. The conveying channel itself guarantees a smooth material flow as well. Thanks to its width of 700 mm, its cross section is uniquely large.

### Chassis

Its innovative 3-point chassis makes the SILOKING SelfLine 4.0 incredibly maneuverable and quick. The robust square-bar frame is torsion-resistant thanks to its 3-point design and guarantees a long service life as well as allows for exact weighing of feed components. If the feed table is particularly narrow, the feed can also be discharged on both sides at the same time using 2 discharge doors without running over the feed.

### Drive unit

The SILOKING SelfLine 4.0 is equipped with the Volvo 4-cylinder D5 (Compact and Premium) or Volvo 6-cylinder D8 engine (System 500+ and 1000+), which meets emission standard stage IV. The high-torque Volvo engine is not only extremely powerful and efficient – its extremely long maintenance intervals with 1,000 hours also make it uniquely economical.

The hydraulic system of the SILOKING SelfLine 4.0 is just one of many highly efficient units of the new self-propelled machine, which only have one goal: achieving the best productivity and efficiency. The hydrostatics and pumps made by world market leader Bosch Rexroth ensure that this goal is confidently reached.

### Cab and control

The large-space cab ensures that the driver enjoys maximum comfort, good ergonomics and safety. High driving and operating comfort not only make the work of the driver a pleasure, they also make it significantly more efficient. Working with the SILOKING SelfLine 4.0 is a true delight thanks to its spaciousness, excellent all-round visibility and perfect operation of the controls.

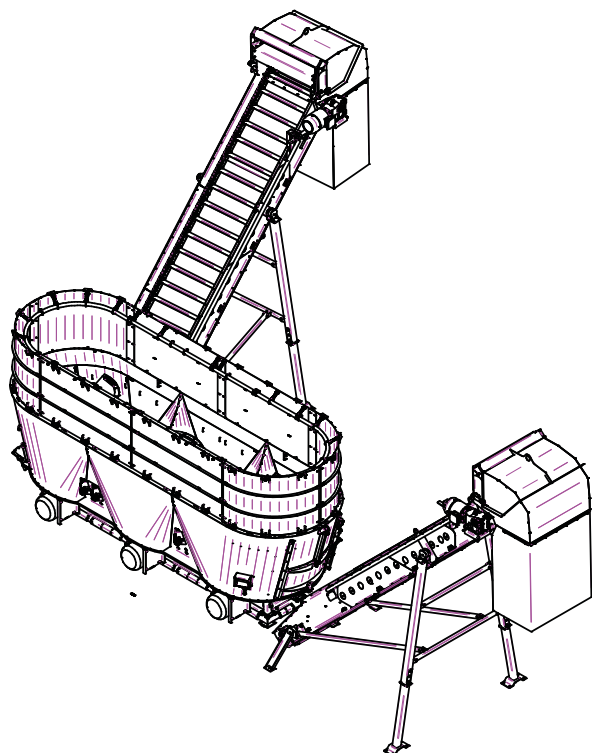


## SILOKING StaticLine Feeding 4.0

Stationary mixing and dosing systems



StaticLine Feeding 4.0 Premium 2514



### SILOKING StaticLine Feeding 4.0

Stationary mixing and dosing systems from 8 m<sup>3</sup> to 40 m<sup>3</sup> with optional unloading or loading conveyor

SILOKING StaticLine Feeding 4.0 is perfectly suited for integration into indoor feeding systems (farms with stationary feeding system or Feed Centers).

#### Compact design

The motor and the planetary gearbox of SILOKING StaticLine Feeding 4.0 are interconnected and are located under the mixing hopper in a protected position.

This makes it possible to load the machine from any side and offers free working area around the mixing system.

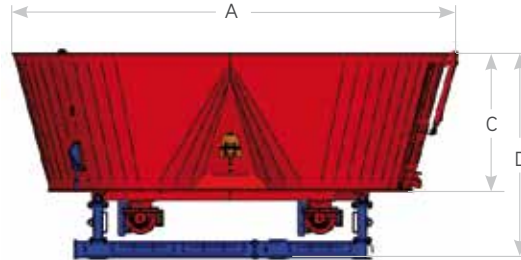
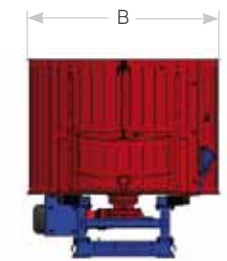
All systems are provided with a SILOKING 4-planet gearbox with a maximum torque of 52,000 Nm. The reinforced bevel gear system and 100 % oil lubrication offer high operational reliability.

The SILOKING turbo auger works at an ideal auger speed of 18 rpm for mixing and 38 rpm for complete emptying.

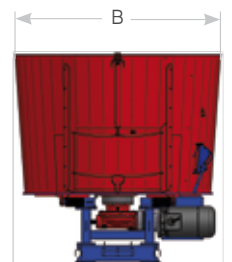
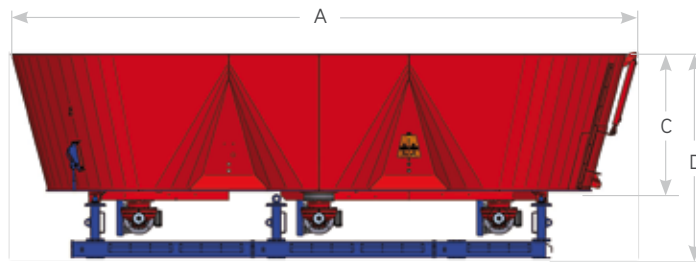
#### Complete or integrated – you have the choice

SILOKING StaticLine Feeding 4.0 systems can be simply integrated into existing systems or be delivered as complete “plug and play” installations. The weighing system can be equipped with interfaces for easy connection to external control systems.

# Technical specifications



Model		Compact 1408-8	Compact 1408-10	Compact 1408-12	Compact 1408-14	Premium 2514-14	Premium 2514-16	Premium 2514-18	Premium 2514-20	Premium 2514-22	Premium 2514-25
A Length	mm	3.240	3.240	3.240	3.240	5.070	5.070	5.070	5.070	5.070	5.070
B Width	mm	2.300	2.300	2.300	2.300	2.320	2.320	2.320	2.320	2.320	2.320
C Hopper height	mm	1.605	1.935	2.265	2.595	1.555	1.745	1.945	2.135	2.335	2.625
D Total height	mm	2.370	2.700	3.030	3.360	2.320	2.510	2.710	2.900	3.100	3.390
Turbo augers		1	1	1	1	2	2	2	2	2	2
Auger windings		2	2,5	3	3,5	2	2,5	3	3	3,5	3,5
Adjustable XS knives		6	7	8	9	12	14	16	16	18	18
Turbo auger speed (mixing / residual emptying)	rpm	18 / 38	18 / 38	18 / 38	18 / 38	18 / 38	18 / 38	18 / 38	18 / 38	18 / 38	18 / 38
Capacity	m <sup>3</sup>	8	10	12	14	14	16	18	20	22	25
Required motor performance	kW	1 x 22	1 x 22	1 x 30	1 x 30	2 x 22	2 x 22	2 x 22	2 x 30	2 x 30	2 x 30
Empty weight	kg	3.050	3.200	3.400	3.550	5.500	5.650	5.800	6.000	6.250	6.450
Payload	kg	3.200	4.000	4.800	5.600	5.600	6.400	7.200	8.000	8.800	10.000



Model		System 1000+ 4022-22	System 1000+ 4022-25	System 1000+ 4022-30	System 1000+ 4022-35	System 1000+ 4022-40	System 1000+ 4030-30	System 1000+ 4030-35	System 1000+ 4030-40
A Length	mm	7.110	7.110	7.110	7.110	7.110	7.970	7.970	7.970
B Width	mm	2.320	2.320	2.320	2.320	2.320	2.550	2.550	2.550
C Hopper height	mm	1.555	1.755	2.085	2.415	2.745	2.485	2.635	2.785
D Total height	mm	2.320	2.520	2.850	3.180	3.510	3.250	3.400	3.550
Turbo augers		3	3	3	3	3	3	3	3
Auger windings		2	2,5	3	3	3,5	3,5	3,5	3,5
Adjustable XS knives		18	21	24	24	27	27	27	27
Turbo auger speed (mixing / residual emptying)	rpm	18 / 38	18 / 38	18 / 38	18 / 38	18 / 38	18 / 38	18 / 38	18 / 38
Capacity	m <sup>3</sup>	22	25	30	35	40	30	35	40
Required motor performance	kW	3 x 22	3 x 22	3 x 30	3 x 30	3 x 37	1 x 90	1 x 90	1 x 110
Empty weight	kg	8.650	8.980	9.450	9.880	10.250	9.100	9.350	9.700
Payload	kg	8.800	10.000	12.000	14.000	16.000	12.000	14.000	16.000



## SILOKING StaticLine Biogas 4.0

Stationary mixing and dosing systems

### SILOKING StaticLine Biogas 4.0

Stationary mixing and dosing systems with hopper capacities from 9 m<sup>3</sup> to 80 m<sup>3</sup>  
 SILOKING **StaticLine Biogas 4.0** has been developed for biogas plant operators who attach great importance to highest possible gas yield and low energy consumption.

### Cutting, mixing, storing, dosing

SILOKING mixing and dosing systems cut long materials, provide a homogeneous mix and can be used as storage tanks. Together with the appropriate feeding technology, they ensure exact and failure-free feeding of substrates into the fermenter.

Operation of the subsequent feeding system is smooth and torsion-free. All parts getting into contact with feed are made completely of stainless steel.

### SILONOX as standard

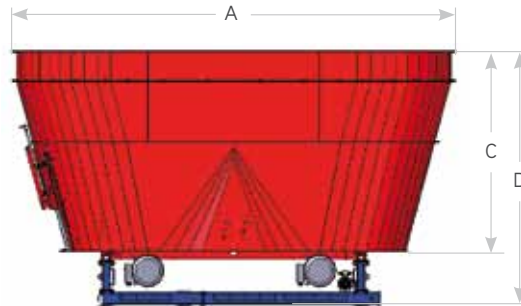
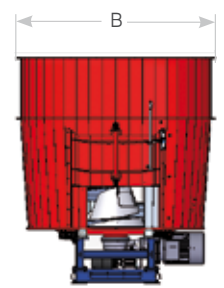
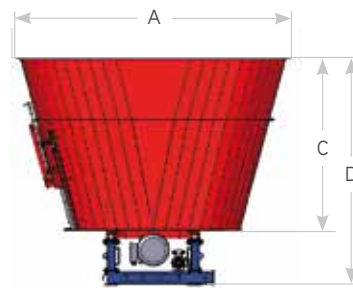
The mixing hopper is made of SILONOX as standard. In order to protect the hopper wall and bottom against acid and wear, they are equipped with SILONOX as standard. SILONOX is made of a stainless steel alloy with outstanding wear resistance. It is very resistant against corrosion, acid, chemical and mechanical wear. The mixing augers are available made completely of SILONOX as an option.

### Exact planning, modular design and easy installation

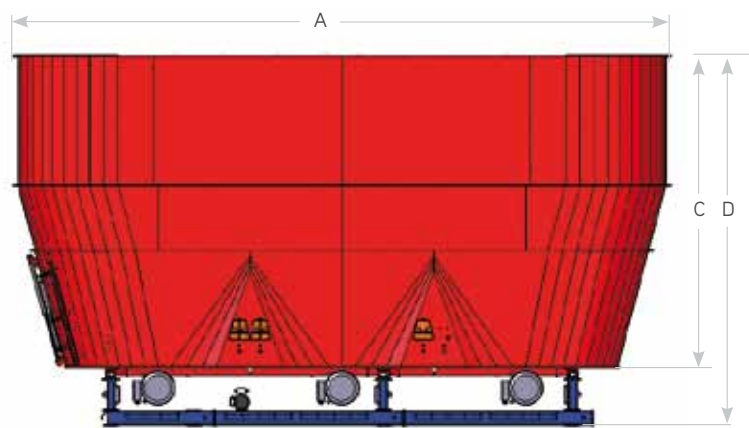
The design and the equipment of SILOKING mixing and dosing systems are adapted to the conditions and the requirements on site. The professional service includes exact planning, detailed drawings and complete documentation, taking also into account any fire protection regulations and system requirements. Installation on site is very easy with the simple design and the pre-assembled components.



# Technical specifications



Model		Compact 1509-9	Compact 1509-12	Compact 1509-15	Premium 4018-18	Premium 4018-25	Premium 4018-30	Premium 4018-40
A Length	mm	3.390	3.620	3.850	5.830	6.100	6.285	6.285
B Width	mm	2.795	2.795	2.795	2.795	2.795	2.795	2.795
C Hopper height	mm	1.560	1.990	2.420	1.560	1.990	2.420	3.225
D Total height	mm	2.325	2.755	3.185	2.325	2.755	3.185	3.990
Mixing augers		1	1	1	2	2	2	2
Adjustable XS knives		6	6	6	12	12	12	12
Capacity	m <sup>3</sup>	9	12	15	18	25	30	40
Required motor performance	kW	1 x 22	1 x 22	1 x 30	2 x 22	2 x 22	2 x 30	2 x 37
Empty weight	kg	3.250	3.500	3.750	6.900	7.200	7.600	8.300
Payload	kg	3.600	4.800	6.000	7.200	10.000	12.000	16.000



Model		System 1000+ 8050-50	System 1000+ 8050-60	System 1000+ 8050-80
A Length	mm	8.685	8.685	8.685
B Width	mm	2.795	2.795	2.795
C Hopper height	mm	2.710	3.160	4.110
D Total height	mm	3.475	3.925	4.875
Mixing augers		3	3	3
Adjustable XS knives		18	18	18
Capacity	m <sup>3</sup>	50	60	80
Required motor performance	kW	3 x 30	3 x 37	3 x 37
Empty weight	kg	12.500	13.800	16.500
Payload	kg	20.000	24.000	32.000

# SILOKING StaticLine 4.0

## Additional equipment

The perfect solution for any farm or installation



### StaticLine Feeding 4.0

#### Variable position of the transfer conveyor

The transfer conveyor can be placed at the specific position of the discharge door as **StaticLine 4.0** is accessible from all sides. The conveyor belt made of rubber is driven by a separate electric drive with frequency converter. This results in quiet running and low-wear operation.

### StaticLine Biogas 4.0

#### Perfect feeding technology that fits any installation!

- ▶ **Vertical feeding**  
Feeding right from the top is very simple and wear-resistant.
- ▶ **Inclined feeding**  
The feeding auger has a progressive inclination. Inclined feeding from above offers reduced flow resistance in the fermenter.
- ▶ **Overhead feeding**  
The overhead feeding system has special transfer shovels at the auger ends.
- ▶ **Pumping technologies**  
Various pumping technologies can be connected with **StaticLine**. SILOKING integrates the technical solution into the overall concept.

### Other applications of SILOKING StaticLine

- ▶ **Waste management facilities and Feed Centers**  
For high throughput and requirements in industrial Feed Centers and waste management facilities, a powerful transfer conveyor is available. This transfer conveyor, optionally made of SILONOX, with a conveyor width of 1,200 mm allows for quickest unloading.
- ▶ **Composting plants**  
The SILOKING transfer conveyor can also be used in other areas, such as the composting plant shown here.
- ▶ **Industrial substrate processing**
- ▶ **Industrial feed production**

# SILOKING StaticLine 4.0

## Assemblies in detail

### Mixing unit

SILOKING hopper geometry and turbo auger are perfectly matched, thus ensuring short mixing times with optimum protection of the feed structure. The edged hopper shape slows down the feed in its circular movement and supports the vertical mixing action. Sharp XS knives cut the feed components with minimum power requirement.



### Drive unit

The gearboxes with 4 planets and 100 % oil lubrication have been designed for high performance even under maximum load. All mixing augers are provided with individual electric drives. The motors are mounted directly on the planetary gearboxes under the mixing hopper. The frequency-controlled electric motors for each individual auger ensure a smooth start and optimum auger speed.



### Acid-resistant load cells

The load cell casings have a fixed connection to the torsion-resistant frame, which avoids torsions even with bigger distances between the load cells. The pin-point weight transfer ensures accurate weighing.

In addition, acid-resistant load cells and additional protective covers provide long life.



### Control cabinet – installation-ready

The electric equipment of the installation, such as frequency converter and electric fuse protection etc., is placed inside a ventilated control cabinet. SILOKING optionally offers this control cabinet for the operation of the mixing unit. Customized solutions are implemented to fulfill any specific customer wishes and requirements.



### SILONOX

The particularly robust design with acid-resistant SILONOX components made of an abrasion-resistant stainless steel alloy make this system ideally suited for the high throughput and peak performances in the areas of feeding and biogas. The SILONOX lining at the turbo auger is corrosion-resistant and extremely wear-resistant at the same time – exactly where the load is highest! The mixing auger can be made completely of SILONOX as an option.





## Everyone is welcome to learn from our expertise!

With state-of-the-art equipment, the SILOKING Service & Training Center provides regular training and information for dealers, technicians and farmers. We are always happy to welcome visitors to the Service & Training Center, by arrangement.

### SILOKING Service & Training Center

Salzburger Straße 1 | 84529 Tittmoning - Kirchheim | Germany  
Phone +49 8683 8984-0 | Fax +49 8683 8984-55  
E-Mail [mayer@siloking.com](mailto:mayer@siloking.com)

### SILOKING Mayer Maschinenbau GmbH

Kehlsteinstraße 4 | 84529 Tittmoning | Germany  
Phone +49 8683 8984-0 | Fax +49 8683 8984-55  
E-Mail [mayer@siloking.com](mailto:mayer@siloking.com)

**SILOKING** simply  
intelligent  
feeding

[www.siloking.com](http://www.siloking.com)

Your SILOKING Partner